

High-Speed Doors

FOR MODERN INDUSTRIAL AND
COMMERCIAL BUILDINGS - INDOORS
AND OUTDOORS



WE OPEN THE DOORS FOR PROGRESS



For Perfect Transport Logistics

FAST, SAFE AND ENERGY SAVING, WITH ANTI CRASH SYSTEM

Teckentrup high-speed doors are made for robust, permanent indoor and outdoor use. They guarantee an uninterrupted flow of traffic and reduce unwelcome heat loss to a minimum during cold winter months. They also keep dirt out and prevent drafts. In combination with Teckentrup sectional doors and roller shutters they are the ideal day/night barrier for outdoor areas.

The numerous Teckentrup doors are characterized by their high-quality components and well-conceived design:

- Self-supporting, hot dip galvanized lateral parts.
- High-tensile, fabric-reinforced roller shutter curtain with PVC vision panel.
- Curtain tensioning with the aid of a special anti crash edge.
- Special brush strips form the seal between lateral parts and curtain.

- High performance worm gear motor, with digital end limit switches as standard.

With integrated anti crash system:

- Protects people and objects.
- Prevents damages and downtimes.
- Ensures rapid return to normal operation.
- Ensures crashes are without serious consequences.

Signal colours

Distinctive RAL colours are available for the curtain. Bright colours are appealing, easily visible, increase safety and improve the overall appearance of an industrial hall.

Orange (standard colour)

Beige

Signal yellow

Zinc yellow

Carmine red

Gentian blue

Light blue

Traffic green

Agate grey

Jet black

Pure white



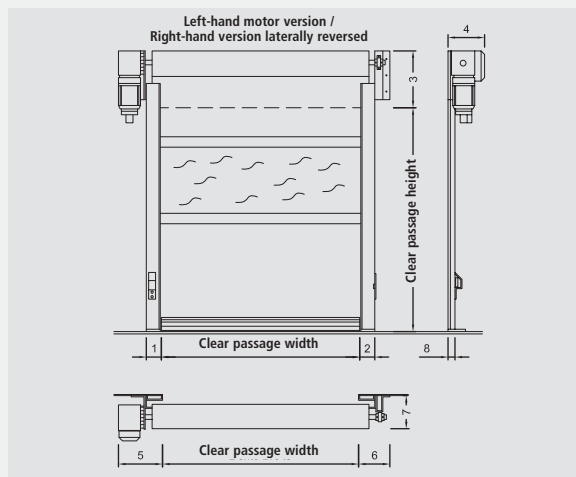
High-speed door SLT-Classic 07/VR • SLT-Classic 07/VR-GG* SLT-Classic 07/VR-FR* • SLT-Classic 07/VR-FR*-GG*



- Max. door size: 4600 x 4600 mm
- Opening and closing speed: 0.8 – 1.2 m/sec

Installation dimensions mm	07/VR with cover	07/VR	07/VR-GG with cover	07/VR-GG
1 Guide rail	125	125	125	125
2 Guide rail	125	125	225	225
3 Headroom	435	550	435	550
4 Motor depth	300	350	300	350
5 Motor side	300	320	300	320
6 Bearing side	200	230	305	330
7 Bearing side depth	180	280	230	280
8 Guide rail depth	63	63	250*	250*

*(counterweight)



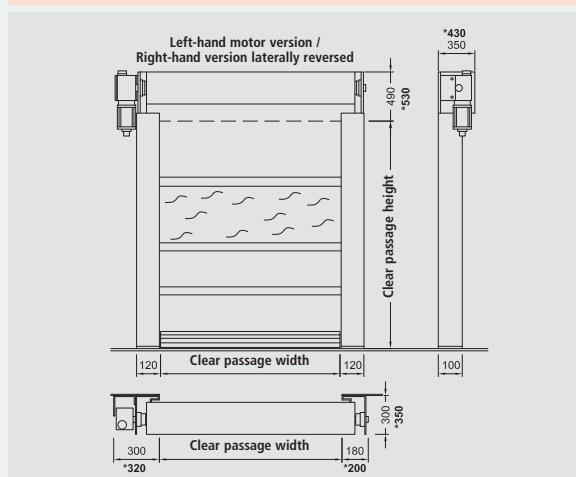
*Door systems optionally with frequency converter technology and counterweight technology for emergency release or fully automatic emergency release with operating current brake in the event of power failure.

High-speed door SLT-Classic Plus 08/FS + VR



- Max. door size: 6000 x 6000 mm
- Opening and closing speed: 0.8 m/sec

Installation dimensions	without cover	with cover*
Guide rail	120 mm	120 mm
Bearing side	180 mm	200 mm
Motor side	300 mm	320 mm
Headroom	490 mm	530 mm

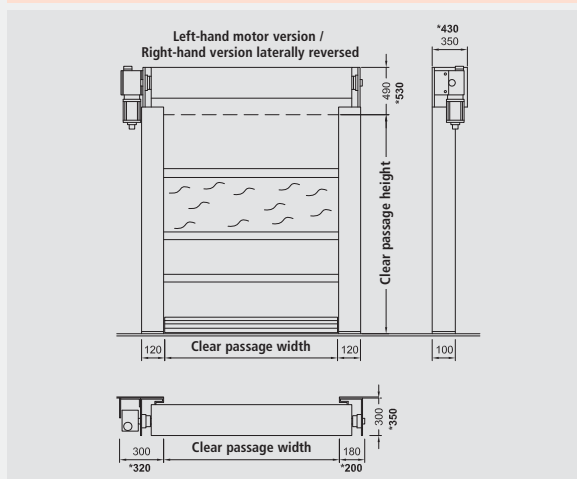


High-speed door SLT-Professional 15/FS + VR



- Max. door size: 6000 x 6000 mm
- Opening speed 1.5 m/sec
- Closing speed: 0.8 m/sec

Installation dimensions	without cover	with cover*
Guide rail	120 mm	120 mm
Bearing side	180 mm	200 mm
Motor side	300 mm	320 mm
Headroom	490 mm	530 mm

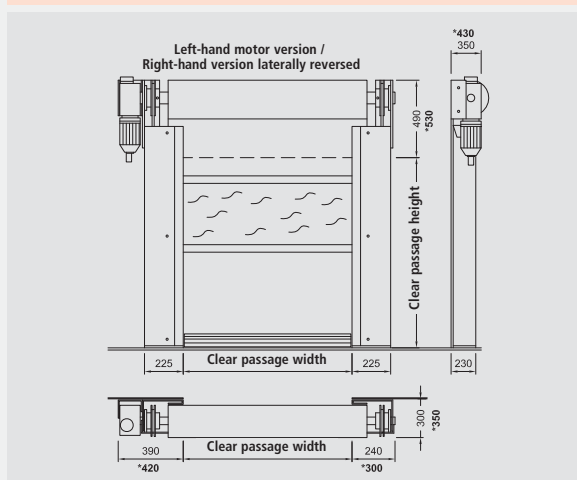


High-speed door SLT-Premium 25/FS



- Max. door size: 6000 x 6000 mm
- Opening speed 1.5 to 2.5 m/sec
- Closing speed: 0.8 m/sec

Installation dimensions	without cover	with cover*
Guide rail	225 mm	225 mm
Bearing side	240 mm	300 mm
Motor side	390 mm	420 mm
Headroom	490 mm	530 mm



Teckentrup High-Speed Doors

GENERAL OVERVIEW

Performance criteria	SLT-Classic 07/VR*	SLT-Classic 07/VR*-FR Frequency	SLT-Classic Plus 08/FS*+VR*	SLT-Professional 15/FS*+VR*	SLT-Premium 25/FS*
Max. door size, mm	4600 x 4600	4600 x 4600	6000 x 6000	6000 x 6000	6000 x 6000
Opening speed, m/sec	0.8	1.2 – 1.5	0.8	1.5	1.5 – 2.5
Closing speed, m/sec	0.8	0.8	0.8	0.8	0.8
Fabric reinforced roller shutter curtain with an extremely durable and tear-resistant design	•	•	•	•	•
Temperature resistance to DIN 53372, -36 to +80 °C	•	•	•	•	•
Flame retardant to DIN 75200 < 100 mm/min	•	•	•	•	•
K-value (thermal conductivity) 5.75	•	•	•	•	•
Standard colour: RAL Orange = curtain thickness	1.0 mm	1.0 mm	1.5 mm	1.5 mm	1.5 mm
Optional RAL colours: 1001 Beige, 1003 Signal yellow, 1018 Zinc yellow, 3002 Carmine red, 5010 Gentian blue, 5012 Light blue, 6024 Traffic green, 7038 Agate grey, 9005 Jet black, 9010 Pure white Curtain thickness	1.0 mm	1.0 mm	1.0 mm	1.0 mm	1.0 mm
PVC vision panel in the roller shutter curtain, thickness 2 mm, across the entire width, 1300 to 2200 mm from the upper edge finished floor.	•	•	•	•	•
The roller shutter curtain runs in the guide profile without mechanical wear parts. Curtain tensioning occurs with the aid of a special anti crash edge.	•	•	•	•	•
A special brush forms the seal between the curtain and the lateral parts.	•	•			
The tubes inserted in the roller shutter curtain guarantee safe usage up to (Beaufort Scale) wind force	7	7	FS 7/VR 8	FS 7/VR 8	8
Self-supporting lateral parts with a top-quality hot dip galvanized finish	•	•	•	•	•
Door control unit: Casing dimensions (W H D), mm	TST CS 300 210 x 340 x 150	TST FUS-C 180 x 320 x 90 TST FUE 2-CG 300 x 400 x 120	TST WU-A 180 x 320 x 90	TST FUE 2-CG 300 x 400 x 120	TST FUE 2-CG 300 x 400 x 120
Reversing contactor control mounted in a specially developed PVC casing IP 54	•		•		
Frequency converter technology with microprocessor control mounted in a metal casing IP 54		•		•	•
2 volt-free contacts optional	•	•	•	•	•
Hold-open period is continuously adjustable from 1-300 sec	•	•	•	•	•
Diagnosis display visible from the outside – for direct hotline support on-site. Plain text display LCD (optional)	•	•	•	•	•
All external controls are possible	•	•	•	•	•
Worm gear motor	0.75/1.5 KW 3 x 400 V Degree of protection IP 54	0.75/1.5 KW 3 x 230 V/50 or 100 Hz Degree of protection IP 54	1.5 KW 3 x 400 V Degree of protection IP 54	1.5 KW 3 x 230 V/100 Hz Degree of protection IP 54	1.5 KW 3 x 230 V/100 Hz Degree of protection IP 54
• Specially developed for the high-speed door	•	•	•	•	•
• Robust and low-maintenance design	•	•	•	•	•
• With digital end limit switches as standard	•	•	•	•	•
• Self-regulating motor brake	5 N/m or 8 N/m	5 N/m or 8 N/m	9 N/m	9 N/m	9 N/m
• Motor can be installed on the left or right-hand side	•	•	•	•	•
• Crank handle override at the worm gear motor	•	•	•	•	•
Anti crash system up to max. 5000 mm clear passage width	•	•	•	•	•
Safety equipment					
• The worm gear motor is equipped with a safety catch and anti-drop device as standard.	•	•	•	•	•
• The door opening is monitored via a photo cell and reflector.	•	•	•	•	•
• To ensure personal safety, the anti crash edge is fitted with a self-monitoring safety edge.	•	•	•	•	•
Refrigerated environment version with heating in the lateral parts, cover, motor and safety photo cell.	•	•	•	•	•
Counterweight technology, manual opening in the event of power failure (optional).	•	•			As standard

*FS = Spring steel insert in the roller shutter curtain
*VR = Rectangular hollow section in the roller shutter curtain

State-Of-The-Art Technology

RELIABLE FUNCTIONS – HIGH LEVEL SAFETY

High-quality control system

A perfectly harmonized drive and control system is the basis for state-of-the-art Teckentrup high-speed doors.



Comfort CS 300 pulse control unit for high speed door type SLT-Classic 07/VR and SLT Classic Plus 08/FS+VR



Door control TST FUE 2 – CG for high-speed door type SLT Professional and SLT-Premium 25/FS



Drive can be installed on either the left or right-hand side

Intelligent anti crash system

The integrated anti crash system increases the door's safety and efficiency.

- If there is a collision between a vehicle and the anti crash edge, the retaining mechanism automatically opens.
- The guide bolts are immediately pressed out of the guide rails into the anti crash edge and can be subsequently realigned from both sides.
- The guide bolts are not mechanically stressed, guaranteeing a long service life.



Internet: www.teckentrup.biz



Fire doors



Smoke protection doors



Security doors



Sound insulated doors



Heat insulated doors



Internal doors



Industrial sectional doors



Sliding doors



Folding sliding doors



Roller shutters/
Roller grilles



CarTeck garage sectional doors



CarTeck up and over garage doors

Subject to technical modifications.
01/01/09 (GB) 155.252
All illustrations contained in this brochure are solely intended to highlight individual product features and may therefore not necessarily be identical with the standard product version.

WE OPEN THE DOORS FOR PROGRESS



Doors · Frames